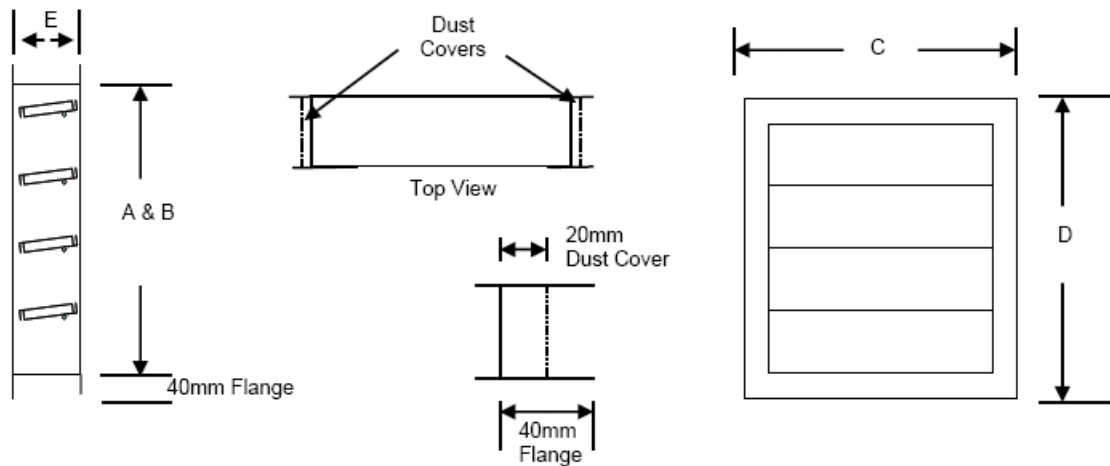


## PRD High-X Range – Duct Mounted Pressure Relief Vents

## Dimensions



Closed Position  
(No pressure)

Vent Size	PRD200	300	400	500	600	700	800	900	1000
A (w)	245	345	445	545	645	745	845	945	1045
B (h)	215	315	415	515	615	715	815	915	1015
C	265	365	465	565	665	765	865	965	1065
D	255	355	455	555	655	755	855	955	1055
E	115	115	115	115	115	115	115	115	115

Unit can be manufactured in any size to suit your applications. For example we can supply a unit 2000 x 200 or 500 x 1300.

The units can also be supplied with a Belimo motor so that they can be powered in the open position to allow the duct work to be used for air intake of extract at all times and in an emergency situation from a signal via the fire alarm system, can close to allow the PRDs to operate as pressure relief vents.

This can be a very efficient way of reducing the number of penetrations in your structure of building.

For design help or more information please contact Asset Fire Protection Ltd.